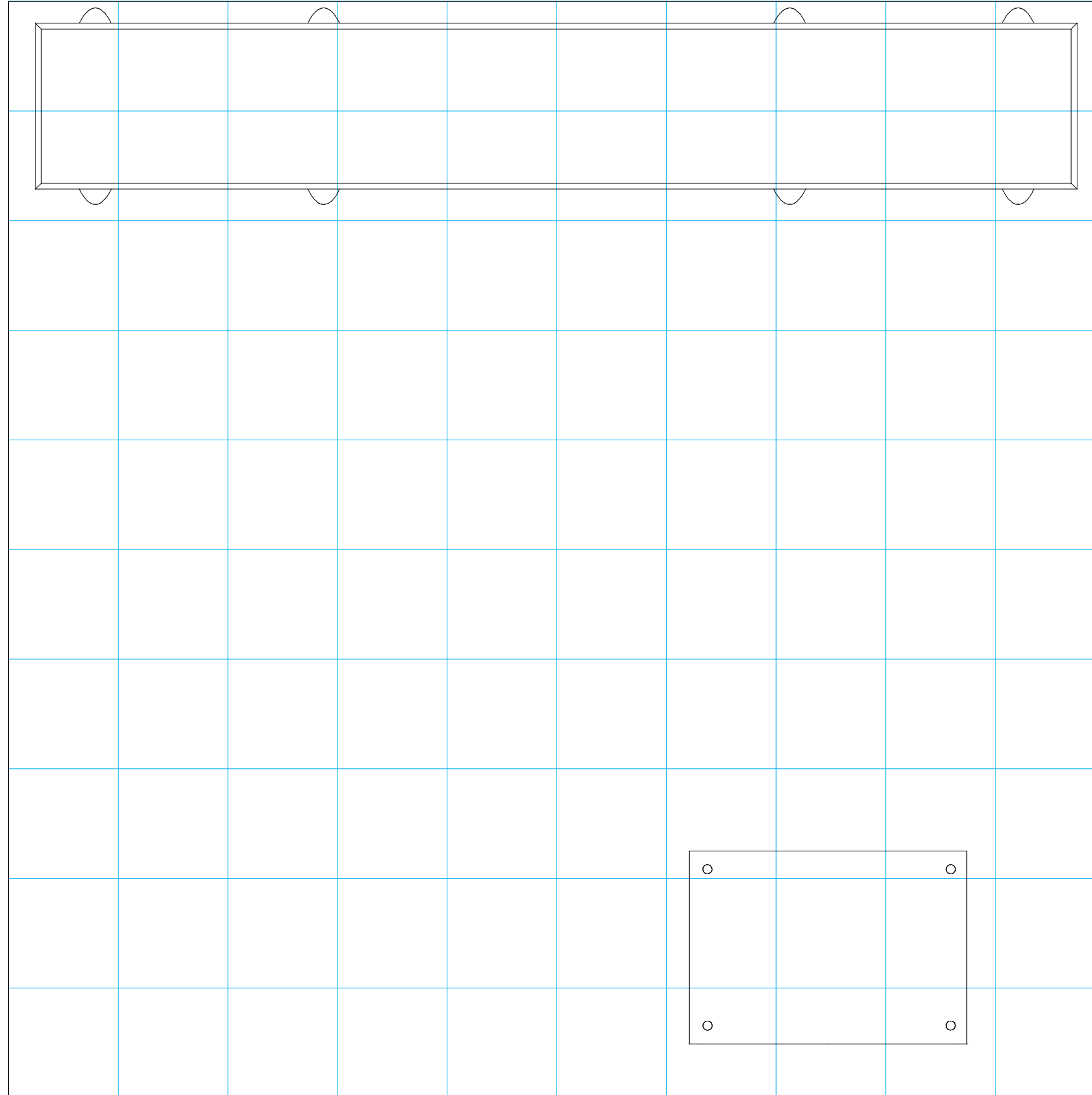


# ***SETUP INSTRUCTIONS***



= 1 sq foot

## General Setup Instructions

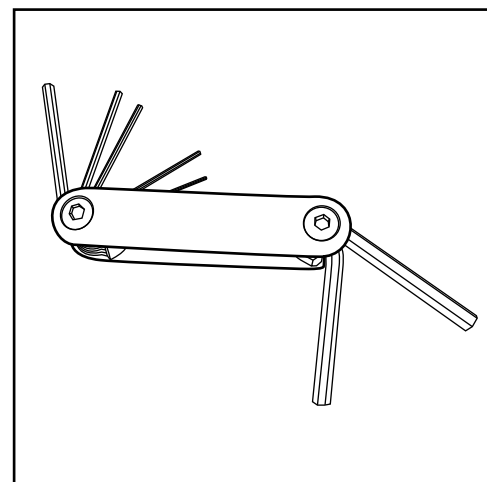
- Read entire setup instruction manual prior to unpacking parts and pieces.
- The setup instructions are created specifically for this configuration.
- Setup instructions are laid out sequentially in steps, including exploded views with detailed explanation for assembly.

## Cleaning & Packing

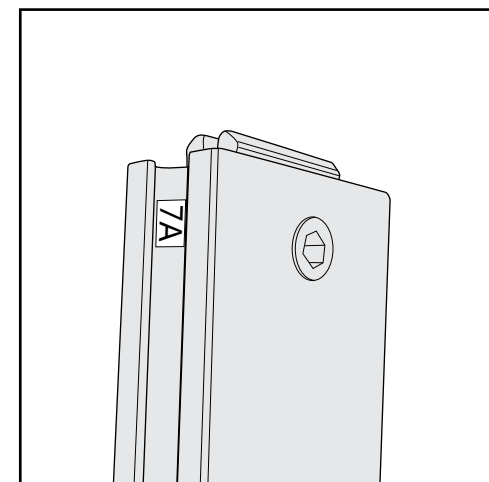
- For Cleaning Metal, Plex, & Laminate Parts: Use a **MILD NON-ABRASIVE** cleanser and soft cloth/paper towel to clean all surfaces.
- Keep exhibit components away from heat and prolonged sun exposure. **Heat and UV exposure will warp and fade components.**
- Retain all provided Packing Materials. All provided packing materials are for ease of repacking & component protection.

## Disassembly

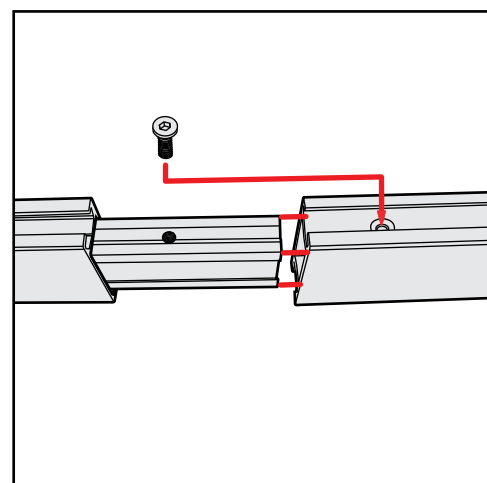
- For loss prevention, tighten all set screws and locks during disassembly.



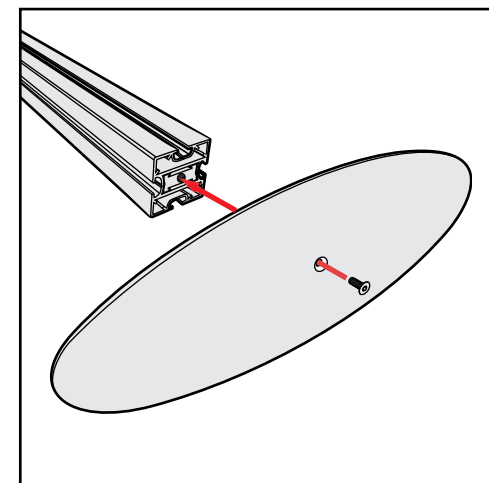
Hex Tool - Essential for Assembly



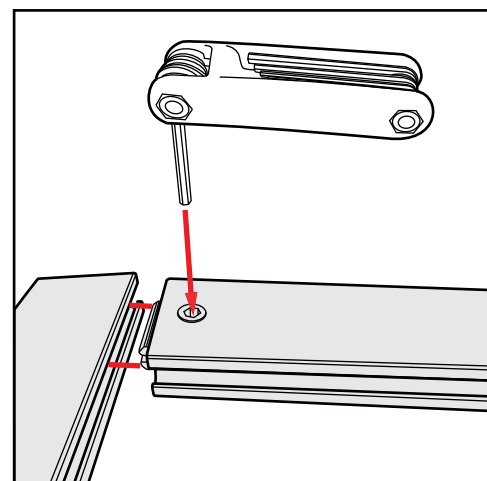
Part Identification - Numbering



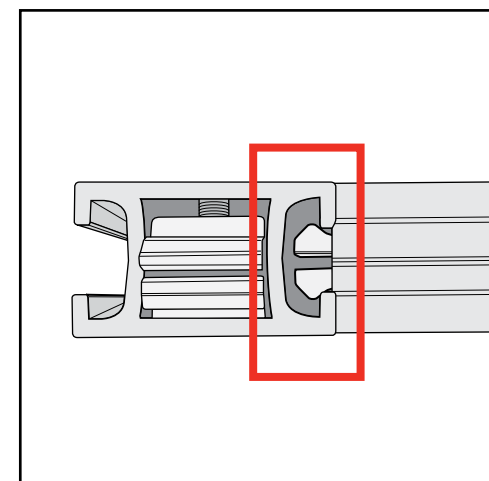
Spline Connection



Base Plate & Extrusion Connection



Extrusion & Lock Connection



Engaged Lock



# WARNING



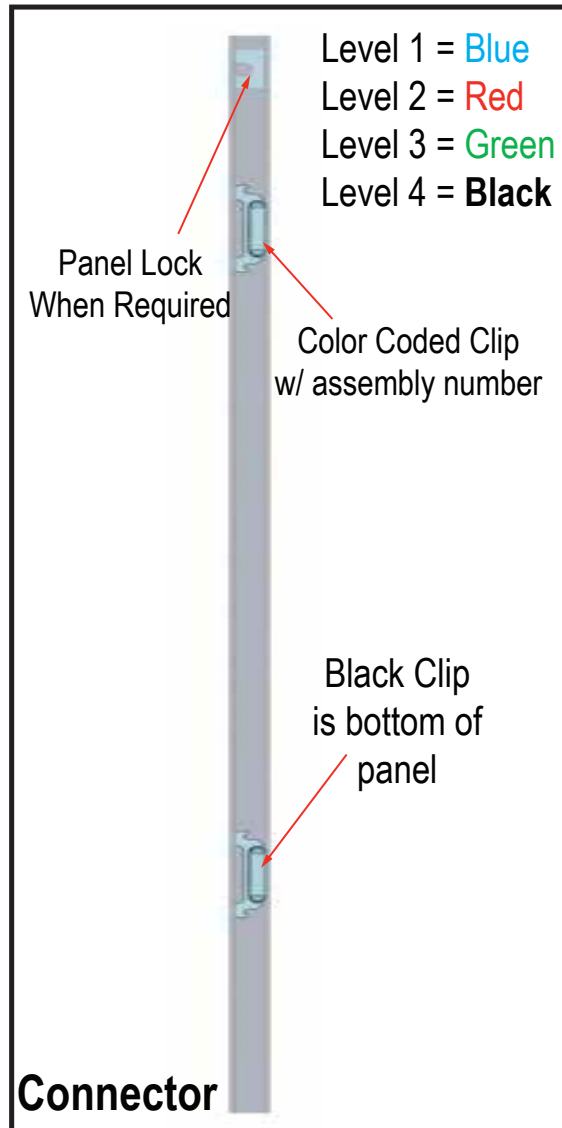
DO NOT USE POWER TOOLS



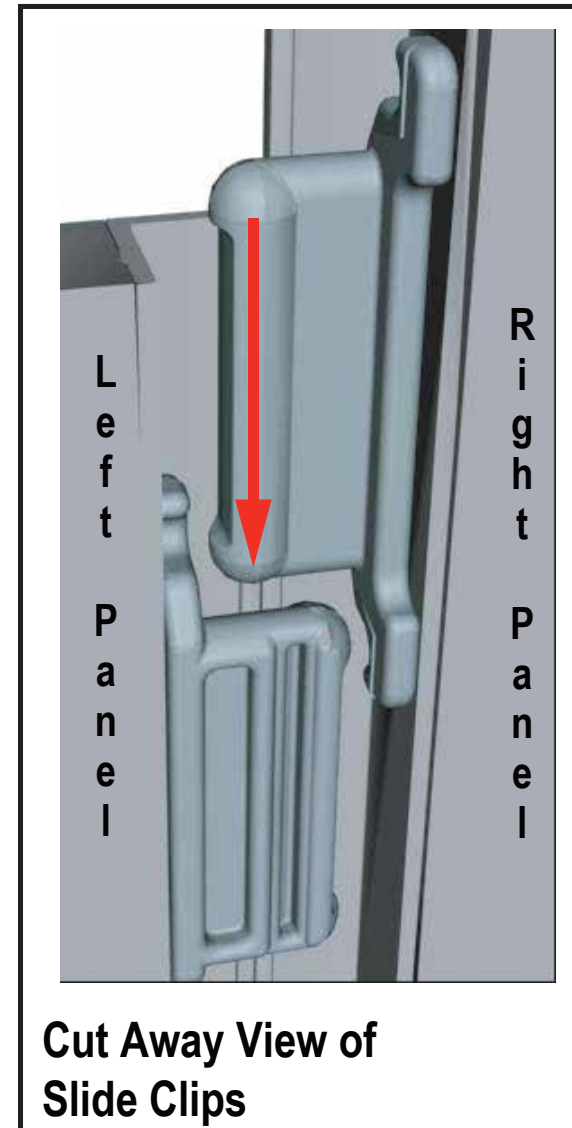
LADDERS OR LIFTS  
MAY BE REQUIRED



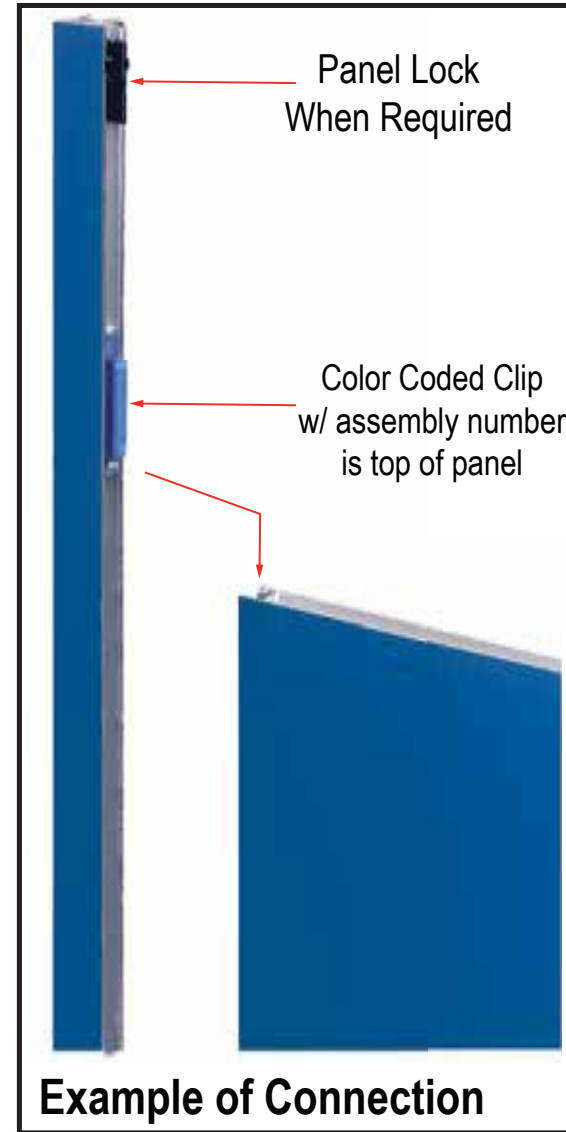
ALL CONNECTIONS MUST  
BE TIGHTLY SECURED



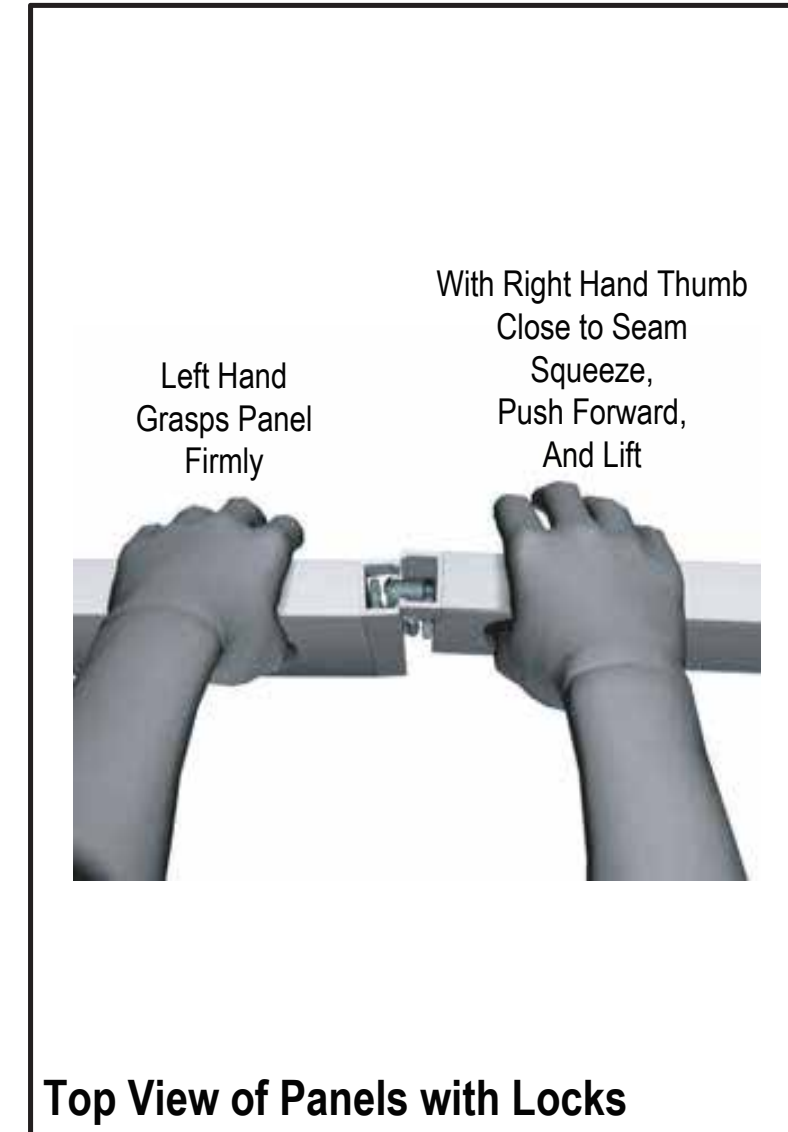
Each component has 2 clips, the lower clip is ALWAYS black. The top clip is color coded to distinguish which level. The color coded clip also contains the numbered label.



Components connect together by aligning them and sliding downward connecting clips together.



Configurations are assembled from left to right, usually starting with #1 and following the numbered sequence.

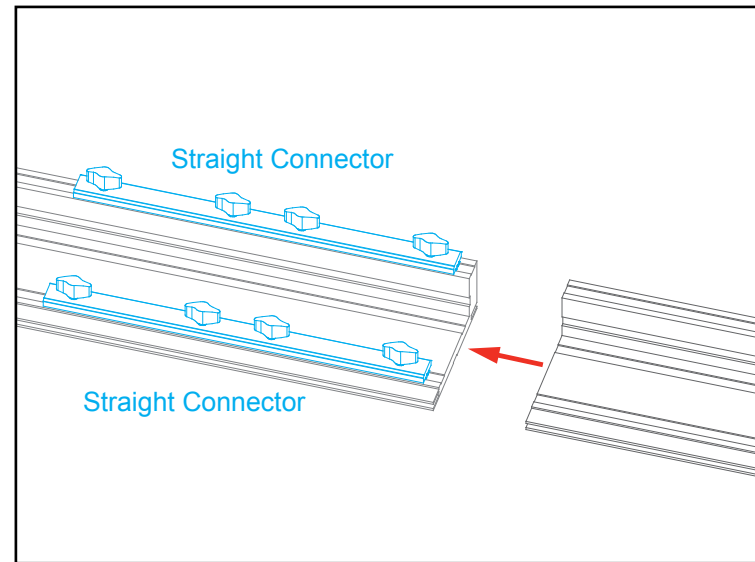


The first level of components contain panel locks that are located at the top of the panel for extra stability and seamless connection. When disassembling panels twist top connection slightly and lift right panel upward.

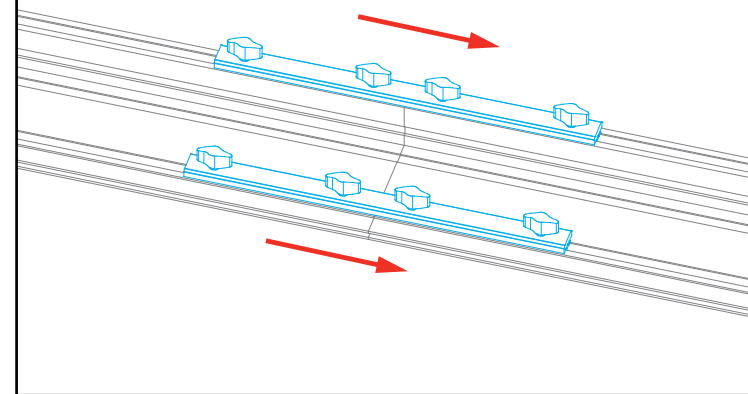
## Straight Connection

When assembling frame, first attach all **straight connectors**, then attach **corner connectors**.

- 1) Place extrusions end-to-end.
- 2) Loosen all knobs, then slide **straight connectors** across the seam of extrusions.
- 3) Tighten all knobs to secure connection.



Slide both connectors across seam of extrusions. Tighten all knobs.



All knobs must be tightened securely to ensure a proper connection.

## Disassembly

- 1) Loosen all knobs.
- 2) Slide connectors off of one extrusion.
- 3) Tighten knobs to prevent loss during packing & shipping.

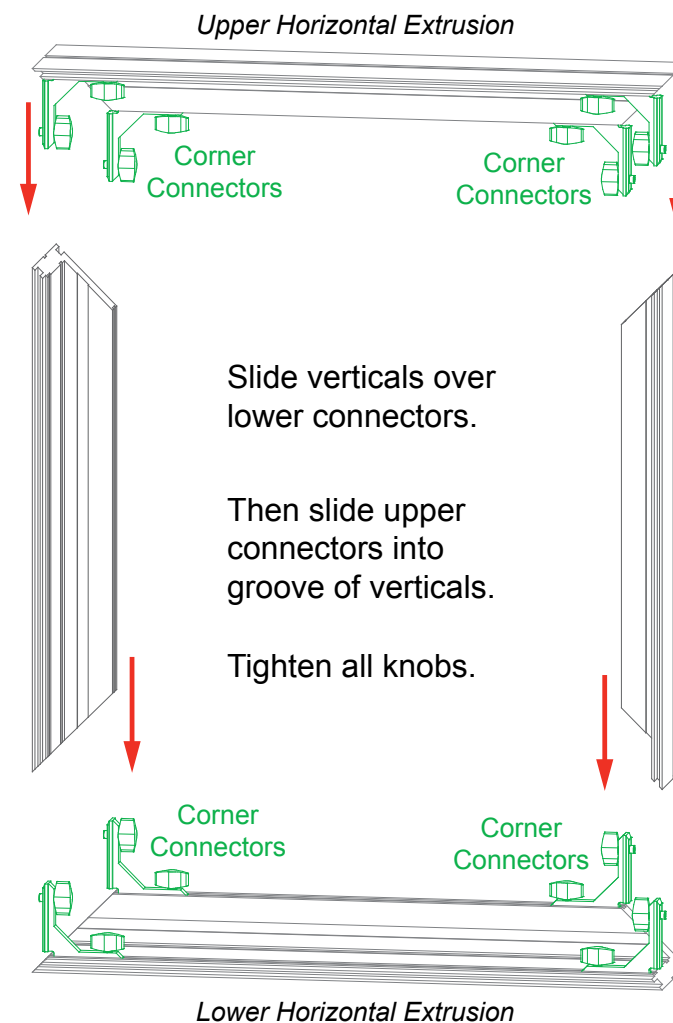
Keep straight connectors in groove of extrusion. Do not remove connectors during disassembly.

## Corner Connection

- 1) Loosen knobs, then slide vertical extrusions onto **corner connectors** of **lower** horizontal extrusion.
- 2) Slide **corner connectors** of **upper** horizontal extrusion into grooves of vertical extrusions.
- 3) Tighten all knobs to secure connection.

## Disassembly

- 1) Loosen knobs on vertical extrusions.
- 2) Slide the vertical extrusions off of **corner connectors** on lower and upper horizontal extrusions.



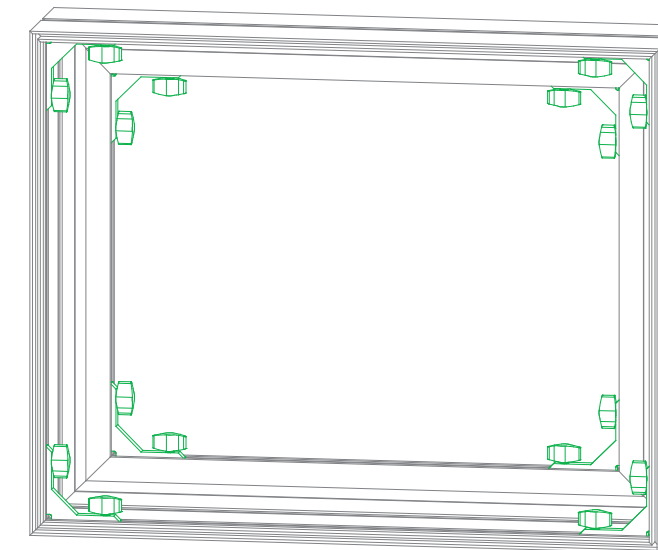
Slide verticals over lower connectors.

Then slide upper connectors into groove of verticals.

Tighten all knobs.

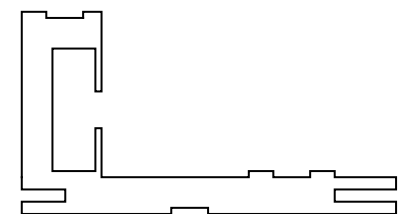


Adjust connectors if necessary to prevent gaps in connection.



COMPLETED ASSEMBLY

All knobs must be tightened securely to ensure a proper connection.

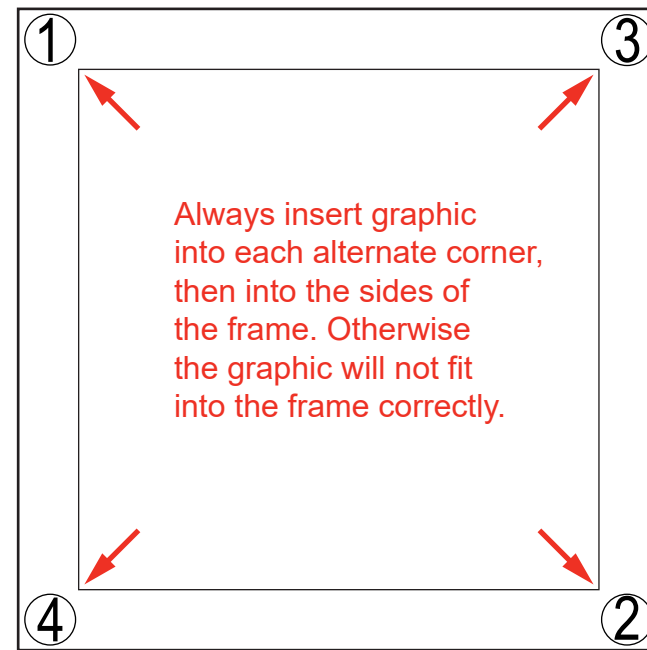


CEI110 Profile

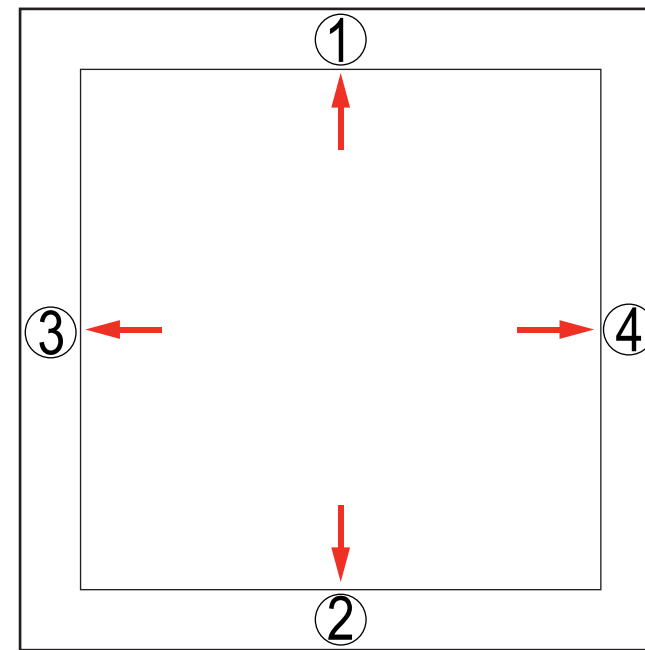
# The Perfect Fit

## SEG Graphic Installation in 3 Steps

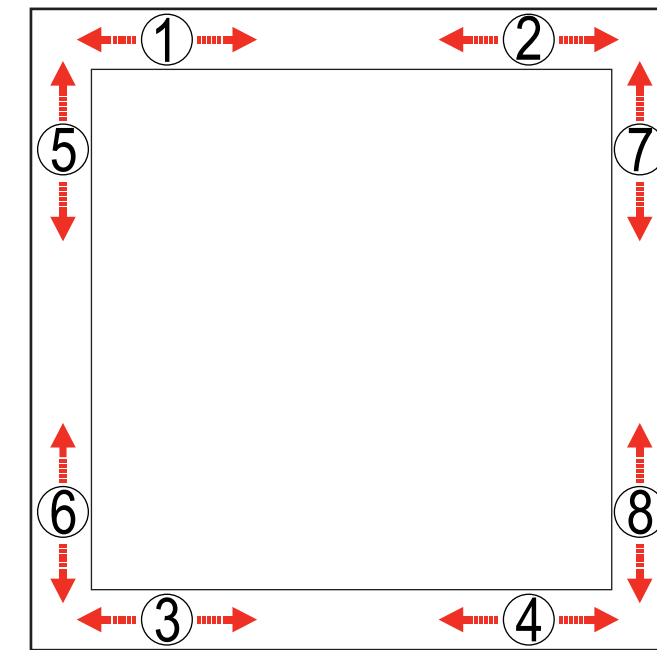
### STEP 1: Attach Corners



### STEP 2: Attach Middle



### STEP 3: Attach Sides



Insert narrow side of silicone welt into the channel at corner 1, with fabric to the outside.

Repeat for opposite corner 2, then corner 3, then corner 4.

Once corners are attached, press the middle of edge 1 into the channel. Then press middle of edge 2 into the channel on opposite side.

Repeat with edge 3 & 4.

Once the middle of sides are attached, fully press the silicone welt into the channel, between center and corner at location 1. Repeat the process between center and corner at location 2.

Do the same for welt on opposite side, at locations 3 & 4. Then repeat for locations 5 & 6 and 7 & 8.

Once the welt is fully inserted on all sides, smooth out edges as needed for a perfect fit.



To remove the graphic from the frame, locate the fabric **pull tab**. Gently pull on the tab to remove the graphic.

Install video:



CRATE PACKING



Item	Qty.	Description
1	1	46" h CEI110 Vertical Extrusion
2	1	46" h CEI110 Vertical Extrusion
3	1	46" h CEI110 Vertical Extrusion
4	1	46" h CEI110 Vertical Extrusion
5	1	30" w CEI110 Horizontal Extrusion
6	1	30" w CEI110 Horizontal Extrusion
7	2	SF64 Base Plate
8	1	46" h CEI110 Vertical Extrusion
9	1	46" h CEI110 Vertical Extrusion
10	1	46" h CEI110 Vertical Extrusion
11	1	46" h CEI110 Vertical Extrusion
12	1	30" w CEI110 Horizontal Extrusion
13	1	30" w CEI110 Horizontal Extrusion
14	2	SF64 Base Plate
--	4	44.189" h TSP3 Vertical Extrusion

**Steps:**

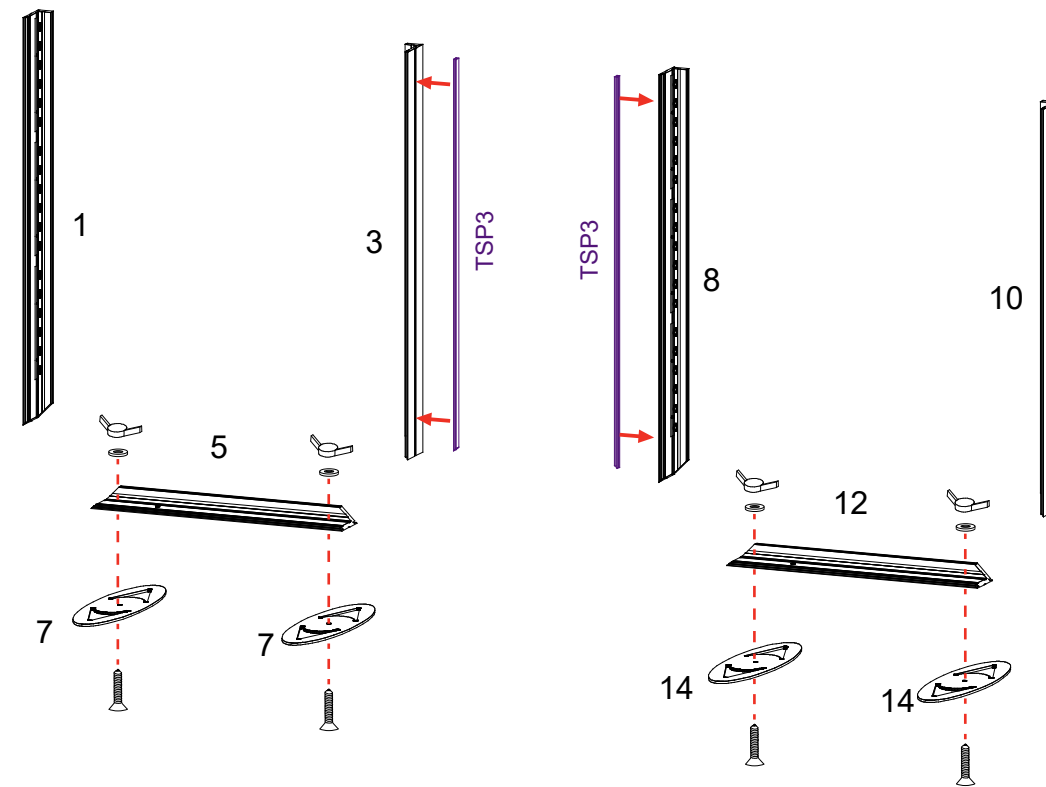
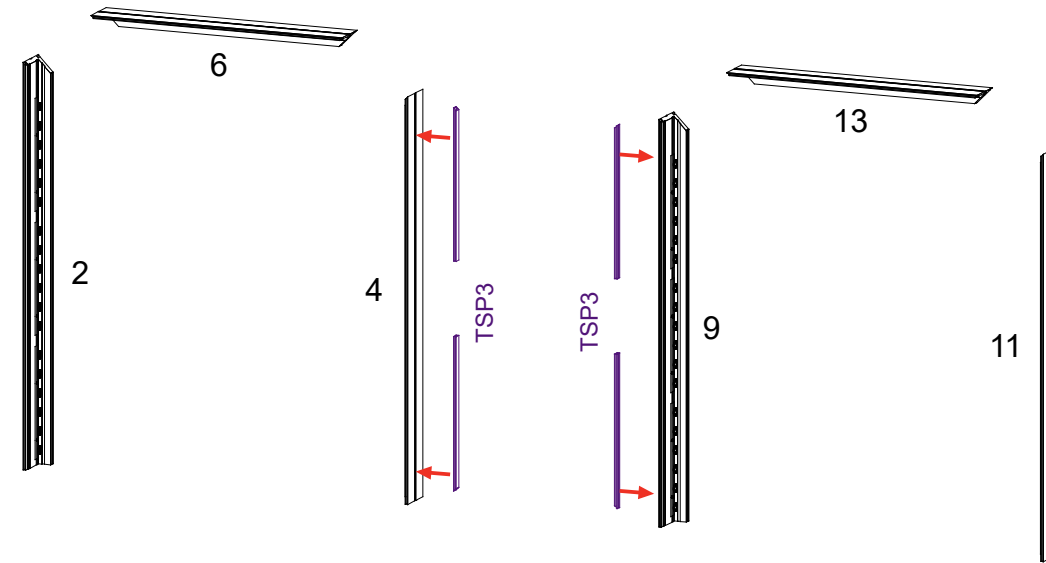
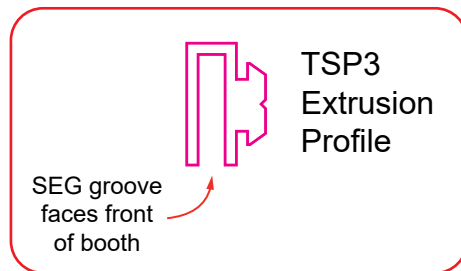
Refer to the CEI110 Frame Assembly general information page.

- 1) Assemble verticals [1-2], [3-4], [8-9], [10-11] together using straight connectors.
- 2) Connect vertical assemblies [1/2], [3/4] between horizontals [5,6]; connect vertical assemblies [8/9], [10/11] between horizontals [12,13] using corner connectors.
- 3) Attach Base Plates [7] & [14] to bottom of lower horizontals [5] & [12] using bolts.
- 4) Connect power cords to Supernova lights as shown.



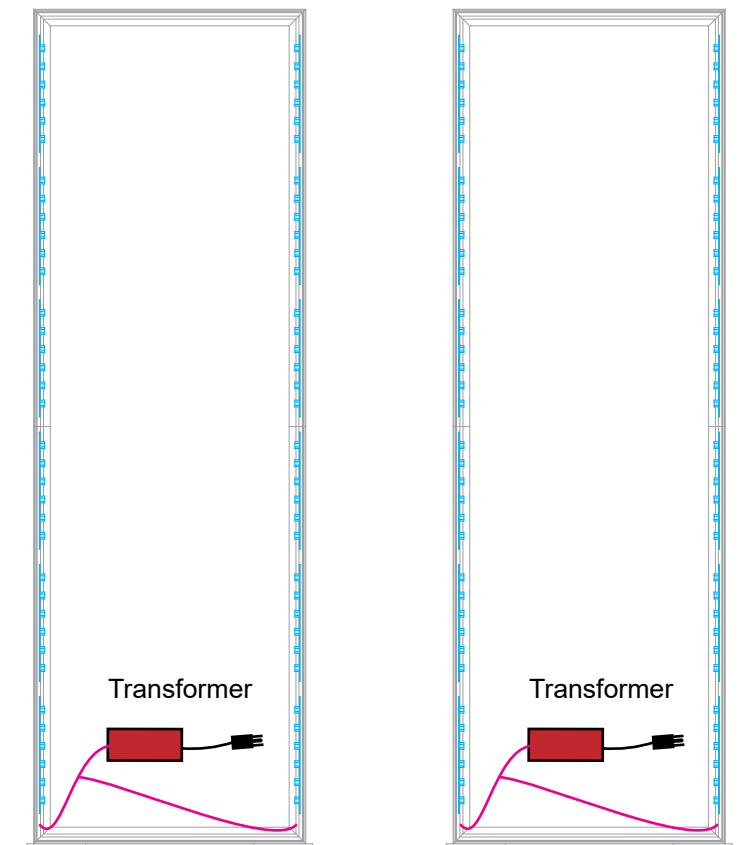
When assembled

Assemble frame flat on ground.

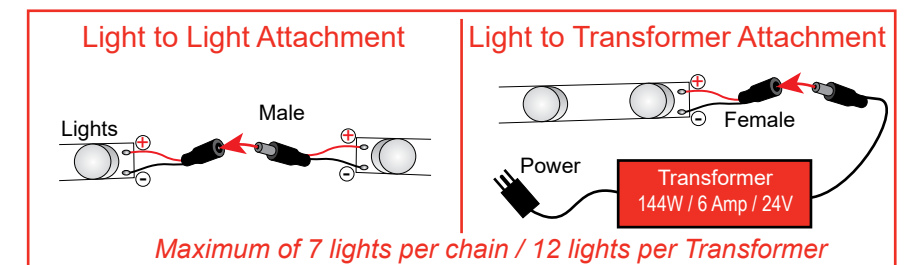


Keep TSP3 attached to CEI110.  
DO NOT REMOVE

FRONT VIEW



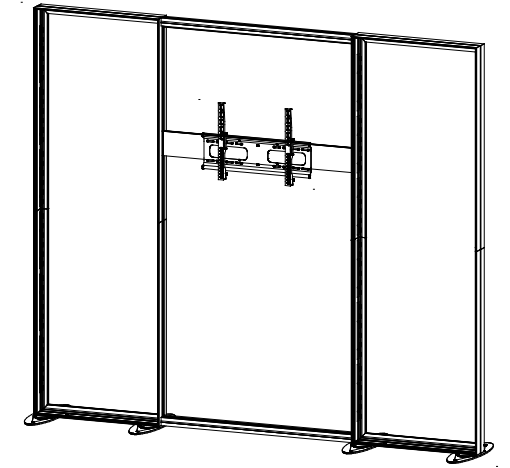
FRONT ELEVATION VIEW



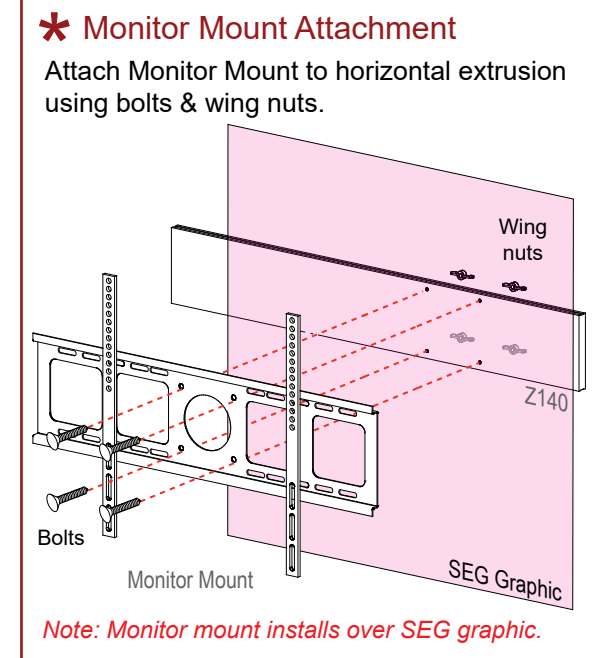
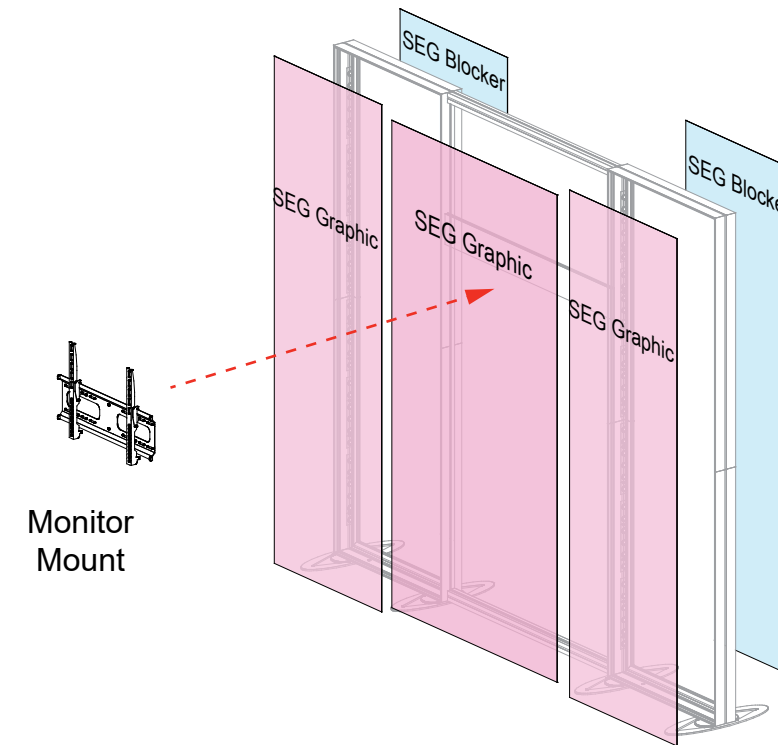
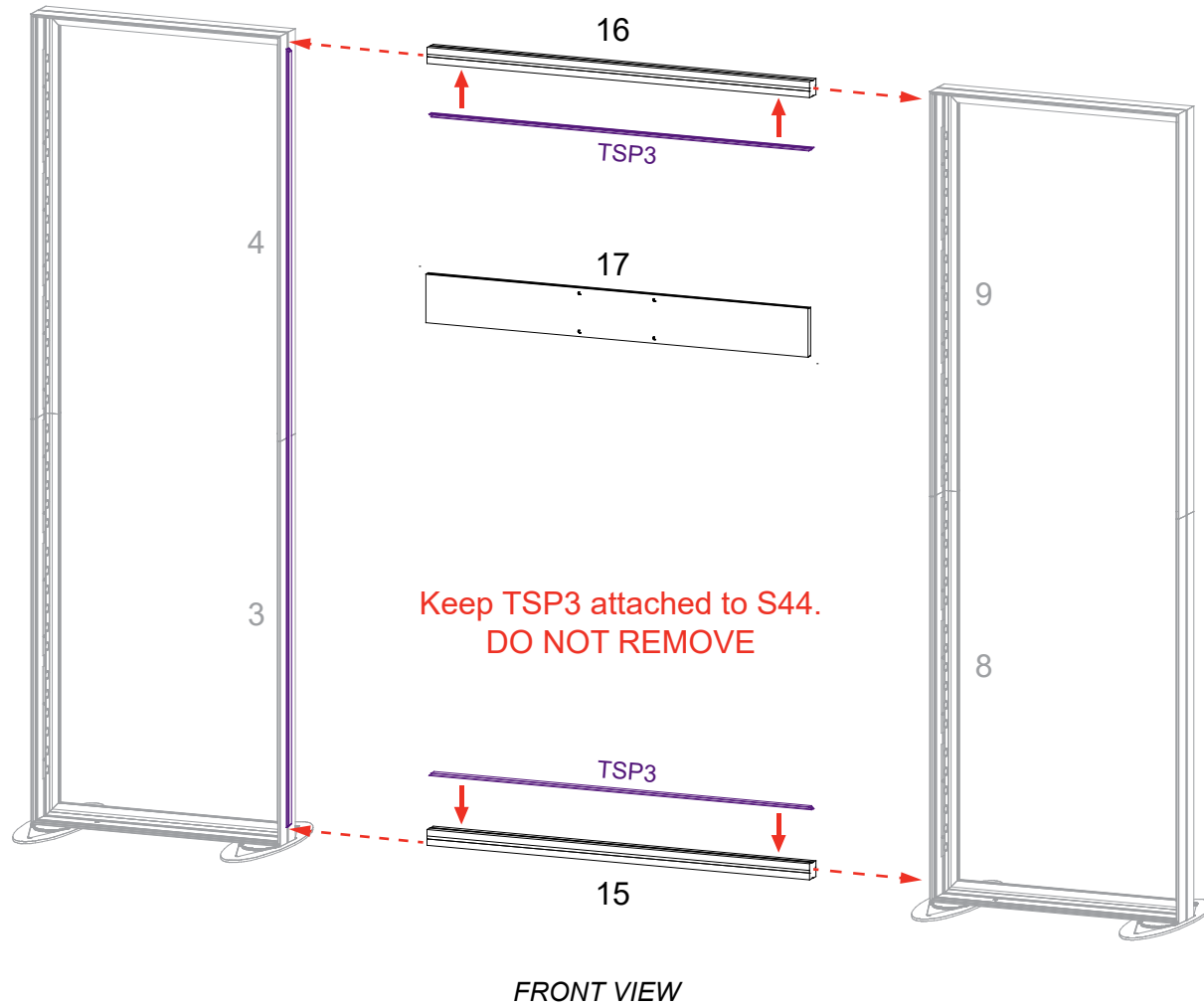
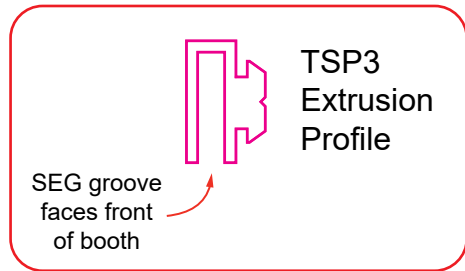


Item	Qty.	Description
15	1	46" w Z45 Horizontal Extrusion
16	1	46" w Z45 Horizontal Extrusion
--	2	46" w TSP3 Horizontal Extrusion
17	1	46" w Z140 Horizontal Extrusion

- Steps:
- 1) Connect horizontals [15,16] & [17] between frame assemblies as shown.
  - 2) Apply SEG Graphics to front of lightbox frames & middle TSP3 frame.
  - 3) Install monitor mount. See **Monitor Mount Attachment** detail.
  - 4) Apply SEG Blockers to back of lightbox frames.
- Refer to the SEG Installation general information page.*



When assembled



# AERO

**Steps:**

- 1) Connect canopy pieces together as shown.
- 2) Apply pillow case graphic to assembled canopy.
- 3) Attach assembled canopy to top of backwall assembly.  
See **Canopy Mount Attachment** detail.

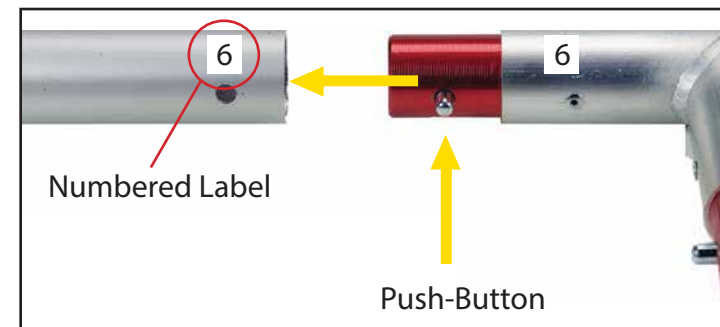
**Using Your Setup Instructions**

The Aero Setup Instructions are created specifically for your configuration. The instructions include an exploded view of the frame which is sequentially labeled. We encourage you to review the instructions before attempting to assemble your exhibit.

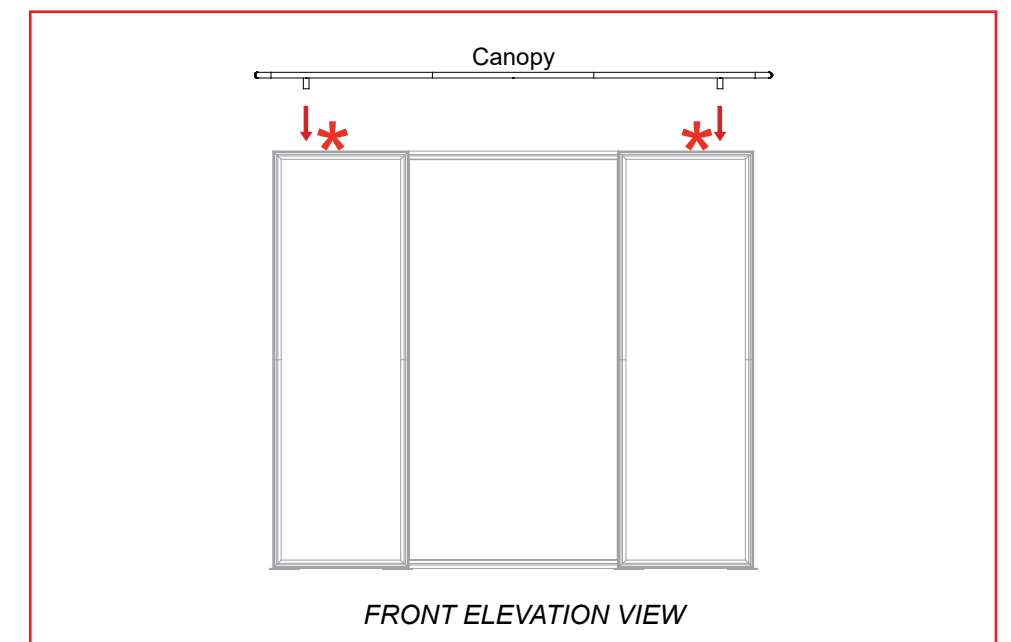
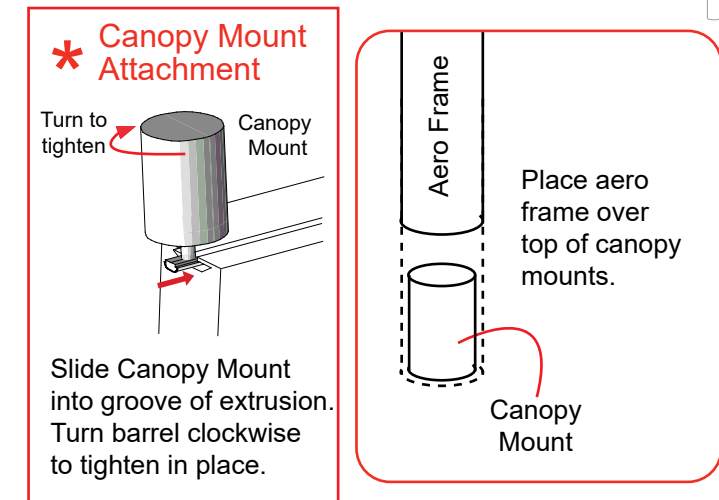
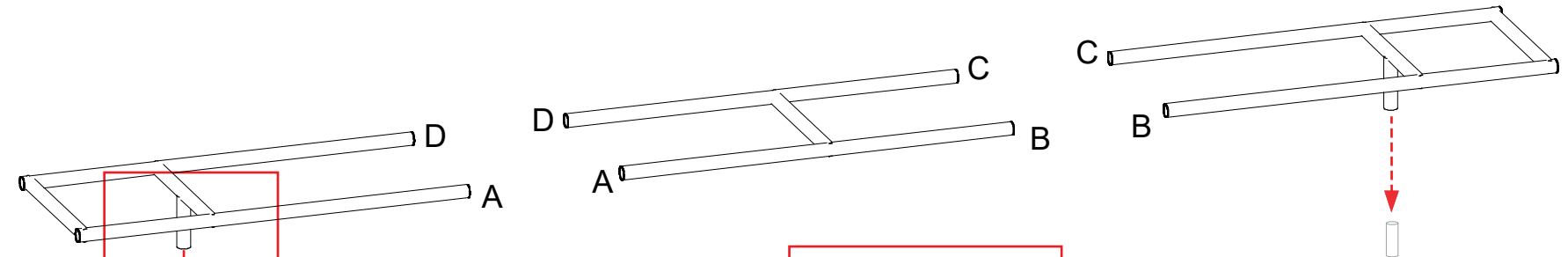
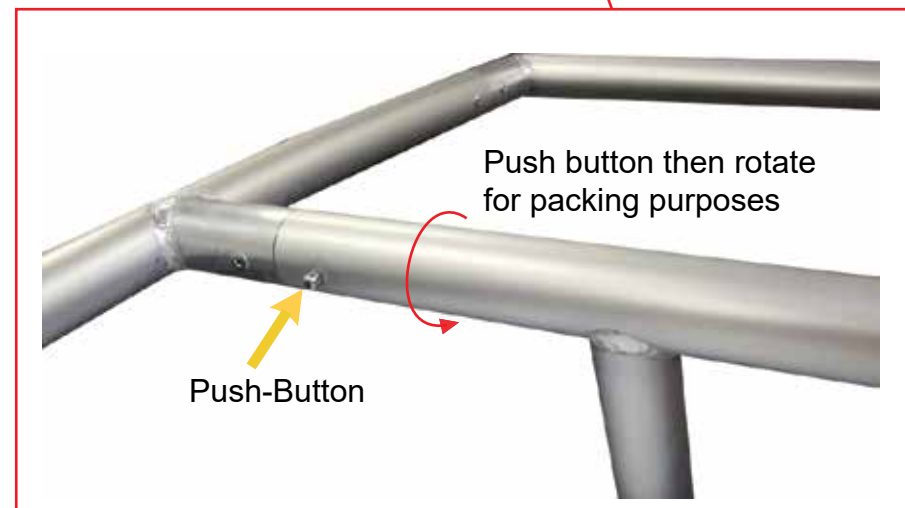
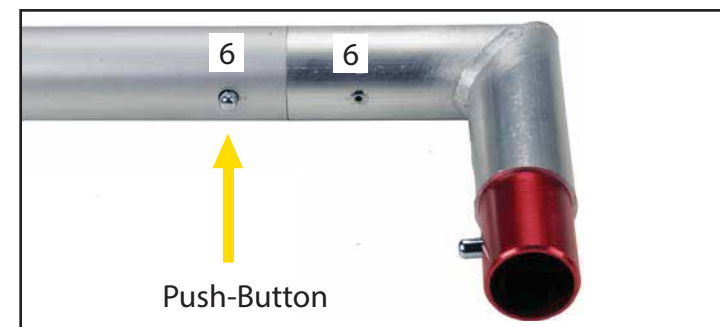
Connections are kept very simple; no tools required. Everything assembles with push-button connectors.

**Cleaning and Packing Your Display**

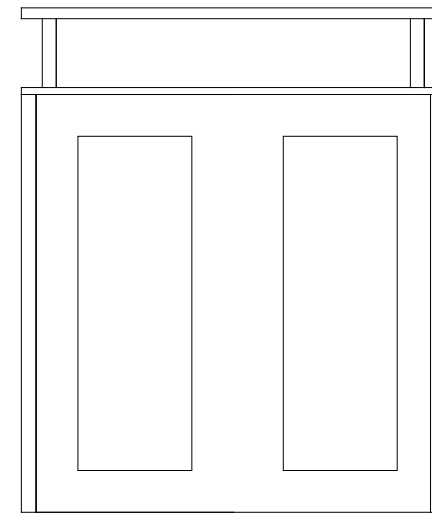
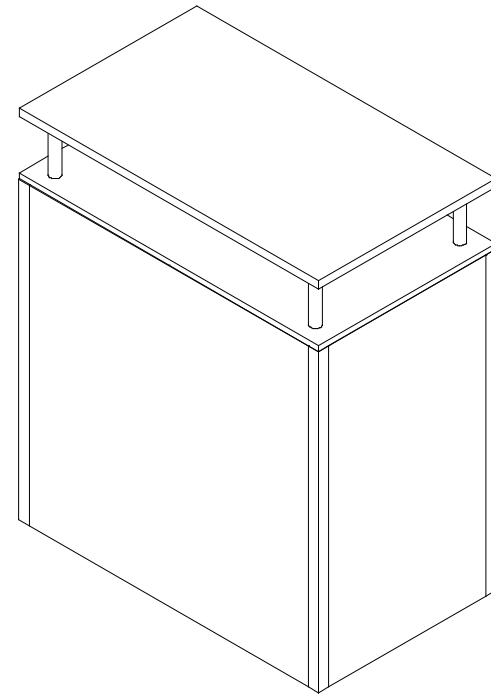
- 1) Use care when cleaning aluminum extrusion or acrylic inserts. Use only non-abrasive cleaners.
- 2) Retain all packing material. It will make re-packing much easier and will reduce the likelihood of shipping damage.



Connections are made by holding the button down and sliding the red tube into opposing tube until button locks into the hole of the opposing tube. To disassemble, push button and pull or twist extrusions apart.



Item	Qty.	Description
1	1	28.25"w x 38"h Flat Panel w/ Doors
2	1	38"h 90° Connector
3	1	20"w x 38"h Flat Panel
4	1	38"h 90° Connector
5	1	28.25"w x 38"h Flat Panel
6	1	38"h 90° Connector
7	1	20"w x 38"h Flat Panel
8	1	38"h 90° Connector



**\* Plex Counter Attachment**

Attach stand-off barrels to primary counter top. Connect plex counter to primary counter top using screw caps.

**\*\*DO NOT OVER TIGHTEN. PLEX WILL CRACK\*\***

**Steps:**

- 1) Connect panels together in numerical order as shown.
- 2) Place Shelf onto shelf supports; place Counter Top on top of assembled pedestal.
- 3) Attach Plex Counter to top of counter top using standoff barrels. See **Plex Counter Attachment** detail.

